

ALPHAFIT



CORE 40 DEGREE ISO-LATERAL LEG PRESS

1 | INNOVATIVE WALK-THROUGH DESIGN REDUCING RISK OF INJURY

The outdated leg press design of the bulky frame leads to a high probability that a user will trip while entering and exiting the machine. AlphaFit has engineered an innovative walk-through design making it easier to enter and exit, limiting the risk of athletes tripping if fatigued.

3 | PRESS SAFELY WITH THE DROP STOP'S EASY HEIGHT ADJUSTMENT SETTINGS

For peace of mind, the adjustable heavy-duty drop stop can be set at 6 different height settings in 50mm increments. For convenience, adjust the drop stop with either your hand or foot by simply pushing the drop stop up and away from you. This feature ensures each user will find a safe and comfortable base position for their lowest range of movement.

5 | LOAD WITH WEIGHT OR ADD RESISTANCE

The leg press trolleys each have a starting weight of 50kg per side and can be loaded with up to a total of 900kg (225kg per pin). With four premium Storage Pins, you can keep your weights close by. Each pin offers 350mm of storage space and has a load rating of 250kg. In addition to the plate-loaded trolleys, users can incorporate resistance training by utilising power bands secured via the six band hooks on either side of the machine.

2 | MORE SPECIFIC TARGETING WITH OUR DUAL TROLLEYS AND TILTING PLATFORMS

This bilateral leg press enables users to engage both legs simultaneously and independently using the trolley lockout. There are three lockout settings for the dual trolleys; unlocked, semi-locked and locked. The foot platforms also have four different tilt angles in 5 degree increments from +10 Degrees to -5 degrees, helping target different parts of your hamstrings and glutes, and helps with improvement in mobility and for injury rehab.

4 | DESIGNED, ENGINEERED AND TESTED WITH SAFETY MEETING AESTHETICS

The heavy-duty design of our Iso-Lateral Leg Press uses 40mm linear rods for smooth operating motion and large load capacity. The machine covers protects moving parts and eliminates any concern for users pinching fingers for both safety and aesthetics.

6 | PROUDLY MADE IN AUSTRALIA, CUSTOMISE TO BUILD THE LEG PRESS YOU'VE ALWAYS WANTED

The Core 40 Degree Iso-Lateral Leg Press is 100% Australian made allowing us to offer an unbeatable level of customisation including colour, branding and accessories. Part of the newest range of AlphaFit plate loaded machines, you can easily create the best strength setup for your unique space and training requirements.

Standard model pictured - Core 40 Degree Iso-Lateral Leg Press in Charcoal Grey. Custom configurations, colours and branding available. Contact your sales representative for more information.



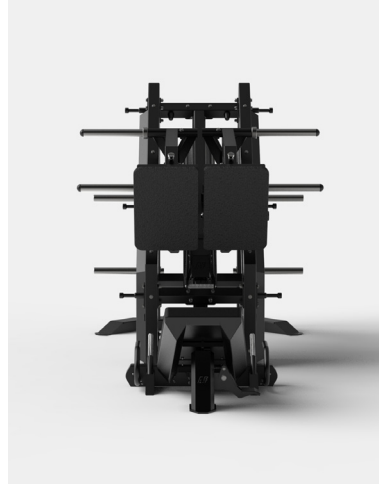
Learn more at alphafit.com.au/core-40-degree-iso-lateral-leg-press

ALPHAFIT

“

THIS IS SO MUCH MORE THAN YOUR AVERAGE LEG PRESS. DESIGNED AND ENGINEERED IN AUSTRALIA WITH PEAK PERFORMANCE AND AESTHETICS IN MIND, THIS PRODUCT IS GUARANTEED TO BE THE CENTREPIECE OF YOUR COMMERCIAL GYM, SPECIALTY STRENGTH OR REHAB FACILITY.

”



CORE 40 DEGREE ISO-LATERAL LEG PRESS SPECIFICATIONS

- Product Dimensions (L x W x H):** 3132mm x 1531mm x 1705mm
- Product Weight:** 580kg
- Unloaded Trolley Weight:** 100kg total (50kg per side)
- Trolley Pin Plate Capacity:** 900kg total (225kg of weight per pin)
- Drop Stop Adjustments:** 6 positions (50mm increments)
- Warranty:** 'Built Not Bought' warranty
- Standard Colour Options:** Choose from 13 colours

